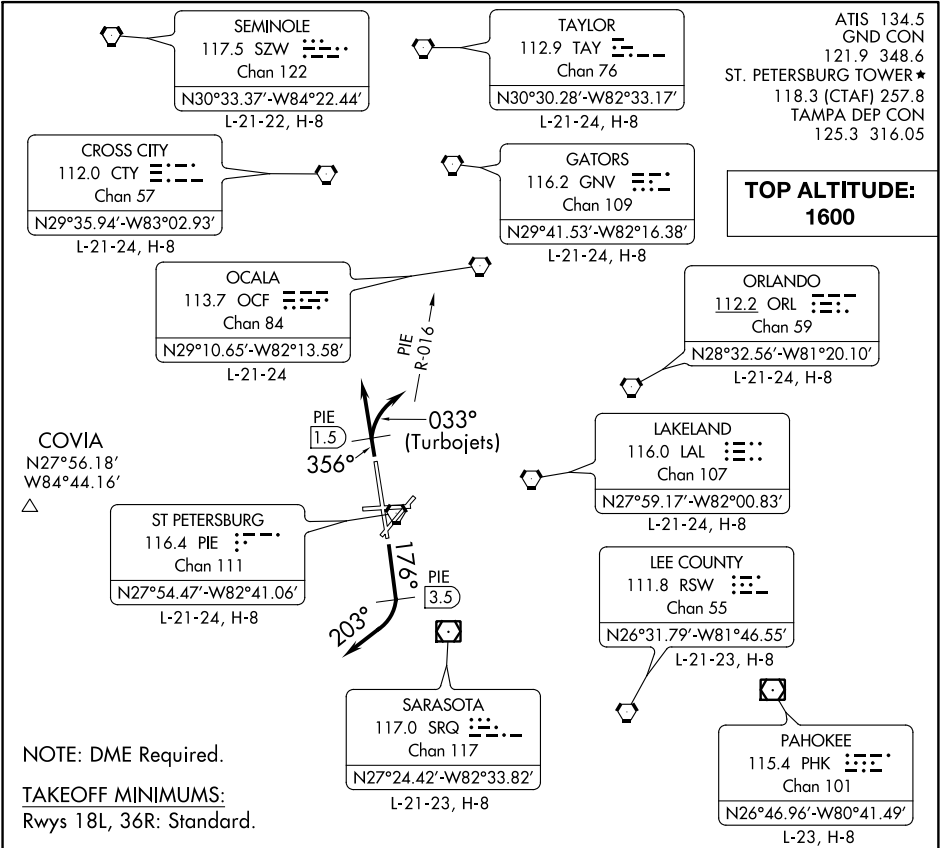


ST. PETE EIGHT DEPARTURE



SE-3, 09 NOV 2017 to 07 DEC 2017

SE-3, 09 NOV 2017 to 07 DEC 2017

DEPARTURE ROUTE DESCRIPTION

TAKEOFF RWY 18L: Climb heading 176° until PIE VORTAC 3.5 DME, then turn right heading 203° or as assigned. Expect RADAR vectors to filed/assigned route, thence. . . .

TAKEOFF RWY 36R: TURBOJETS climb heading 356° until PIE VORTAC 1.5 DME, then turn right heading 033° to intercept and fly outbound on PIE R-016, thence. . . .

ALL OTHERS fly heading 356° or as assigned. Expect RADAR vectors to filed/assigned route. Thence. . . .

. . . .maintain 1600, expect further clearance to filed altitude 10 minutes after departure.