

WAAS CH 86229 W18A	APP CRS 179°	Rwy Idg TDZE Apt Elev	5849 71 75
--	------------------------	-----------------------------	---------------------------------------

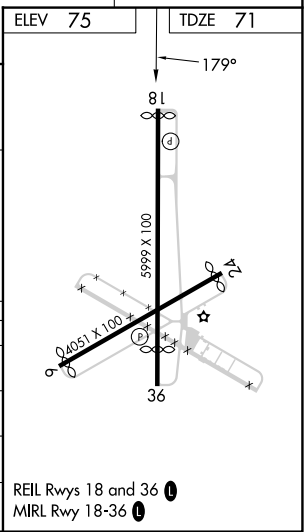
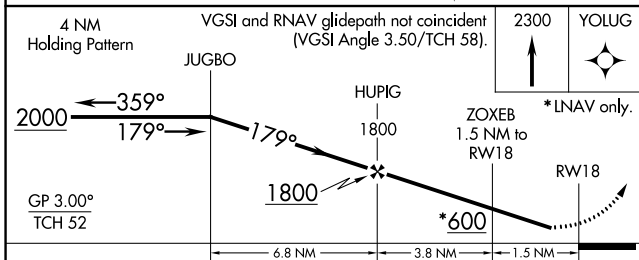
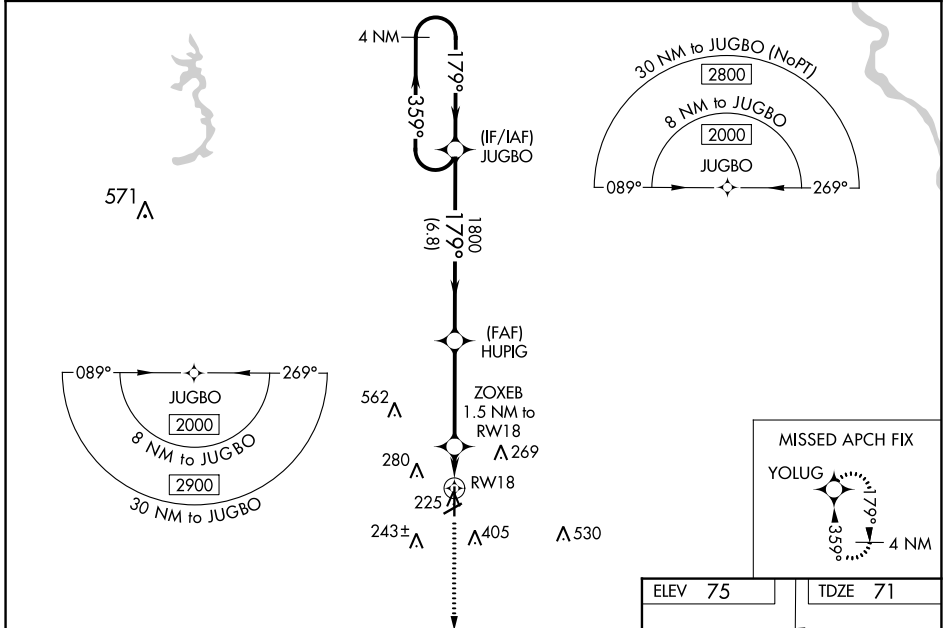
RNAV (GPS) RWY 18

ST LANDRY PARISH (OPL)

⚠ NA Baro-VNAV NA when using Lafayette altimeter setting. For uncompensated Baro-VNAV systems, LNAV/VNAV NA below -15°C (5°F) or above 43°C (109°F). When VGSI inop, Straight-in/Circling Rwy 18 procedure NA at night. DME/DME RNP-0.3 NA. Helicopter visibility reduction below 1 SM NA. Circling to Rwy 6/24 NA at night. When local altimeter setting not received, use Lafayette altimeter setting: Increase LPV DA to 377 feet, LNAV/VNAV DA to 442 feet, and visibility LNAV/VNAV all Cats ¼ SM; increase all MDA 60 feet and visibility LNAV Cat C and D and Circling Cat C and D ¼ SM.

MISSED APPROACH: Climb to 2300 direct YOLUG and hold.

AWOS-3PT 118.775	LAFAYETTE APP CON ★ 128.7 268.7	UNICOM 123.0 (CTAF) 0
----------------------------	---	---------------------------------



CATEGORY	A	B	C	D
LPV DA		321-1	250 (300-1)	
LNAV/VNAV DA		386-1	315 (400-1)	
LNAV MDA	480-1	409 (500-1)	480-1½	409 (500-1½)
CIRCLING	780-1	705 (800-1)	780-2	920-2¾
			705 (800-2)	845 (900-2¾)

SC-4, 22 FEB 2024 to 21 MAR 2024

SC-4, 22 FEB 2024 to 21 MAR 2024

WAAS CH 73027 W36A	APP CRS 359°	Rwy Idg 5210 TDZE 74 Apt Elev 75
--	------------------------	---

RNAV (GPS) RWY 36

ST LANDRY PARISH (OPL)

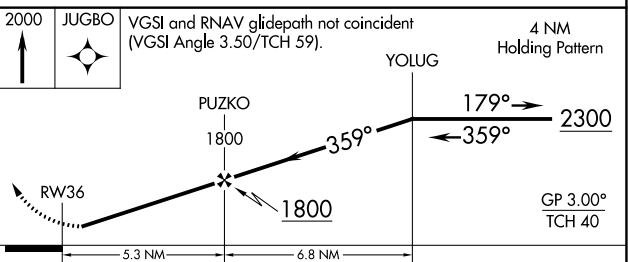
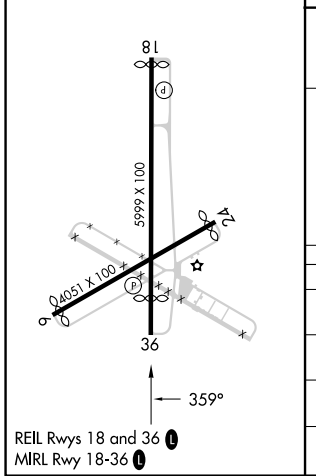
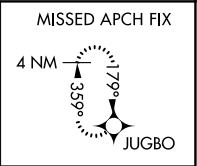
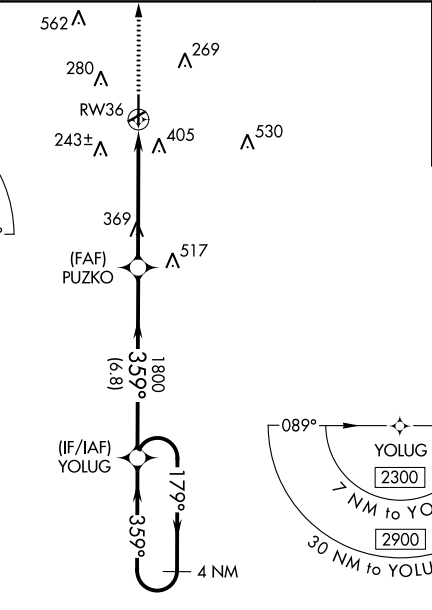
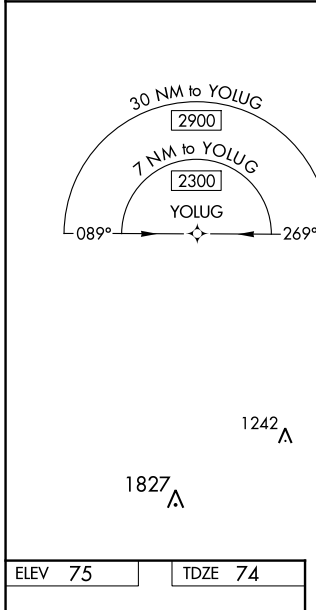
⚠ Baro-VNAV NA when using Lafayette altimeter setting. For uncompensated Baro-VNAV systems, LNAV/VNAV NA below -15°C (5°F) or above 43°C (109°F). When VGSI inop, Straight-in/Circling Rwy 36 procedure NA at night. DME/DME RNP-0,3 NA. Visibility reduction by helicopters NA. Circling to Rwy 6/24 NA at night. When local altimeter setting not received, use Lafayette altimeter setting: Increase LPV DA to 407 feet, LNAV/VNAV DA to 749 feet, and visibility LPV all Cats ½ SM and LNAV/VNAV all Cats ¼ SM; increase all MDA 60 feet and visibility LNAV Cats C and D ¼ SM and Circling Cat C and D ¼ SM.

MISSED APPROACH: Climb to 2000 direct JUGBO and hold.

AWOS-3PT
118.775

LAFAYETTE APP CON*
128.7 268.7

UNICOM
123.0 (CTAF) 0



CATEGORY	A	B	C	D
LPV DA	351-1 277 (300-1)			
LNAV/VNAV DA	693-2¼ 619 (700-2¼)			
LNAV MDA	620-1	546 (600-1)	620-1½	546 (600-1½)
CIRCLING	780-1	705 (800-1)	780-2 705 (800-2)	920-2¾ 845 (900-2¾)

SC-4, 22 FEB 2024 to 21 MAR 2024

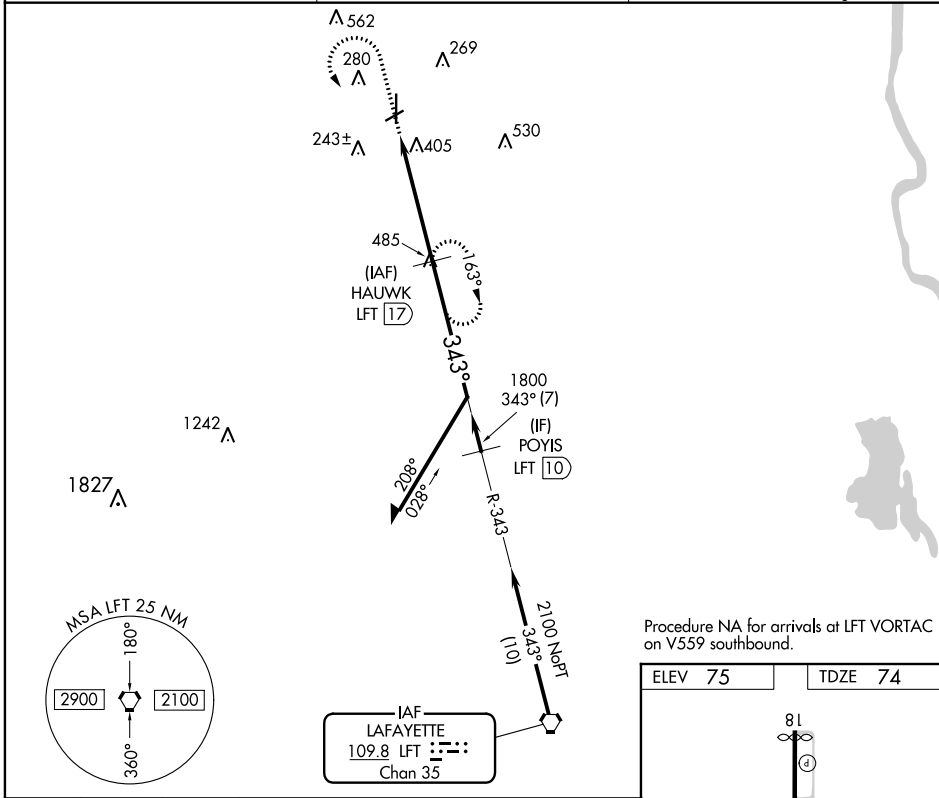
SC-4, 22 FEB 2024 to 21 MAR 2024

VORTAC LFT	APP CRS	Rwy Idg	5210
109.8	343°	TDZE	74
Chan 35		Apt Elev	75

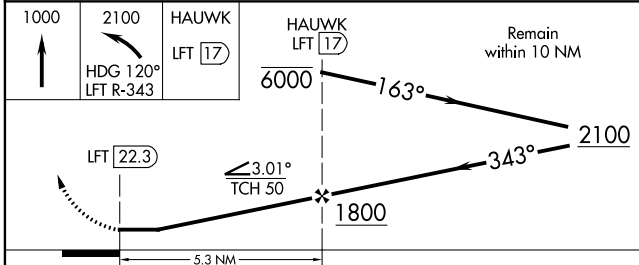
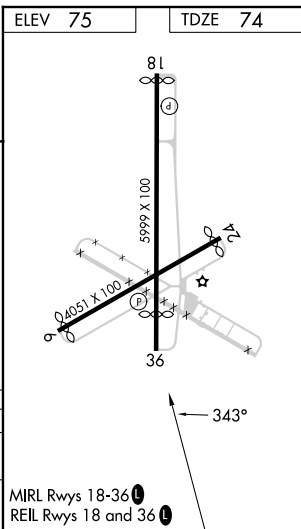
VOR RWY 36

ST LANDRY PARISH (OPL)

DME required.		MISSED APPROACH: Climb to 1000 then climbing left turn to 2100 on heading 120° and LFT R-343 to HAUWK/17 DME and hold.
<p>▼ Circling Rwy 6, 24 NA at night.</p> <p>▲ Rwy 36 helicopter visibility reduction below ¾ SM NA.</p>	AWOS-3PT 118.775	LAFAYETTE APP CON ★ 128.7 268.7
		UNICOM 123.0 (CTAF) 0



Procedure NA for arrivals at LFT VORTAC on V559 southbound.



CATEGORY	A	B	C	D
S-36	720-1 646 (700-1)	720-1¼ 646 (700-1¼)	720-1⅞ 646 (700-1⅞)	720-2 646 (700-2)
CIRCLING	780-1 705 (800-1)	780-1¼ 705 (800-1¼)	780-2 705 (800-2)	920-2¾ 845 (900-2¾)

SC-4, 22 FEB 2024 to 21 MAR 2024

SC-4, 22 FEB 2024 to 21 MAR 2024